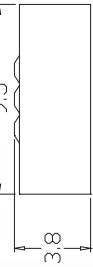


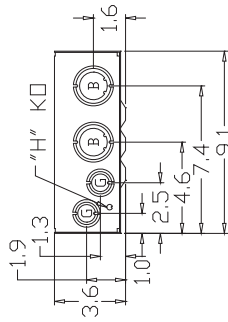
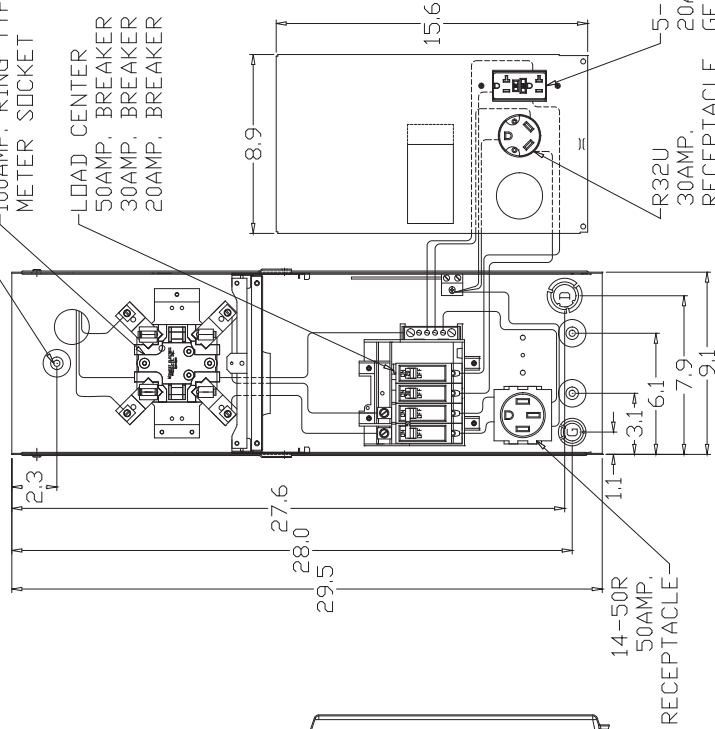


www.bbelec.com  
888.391.3802



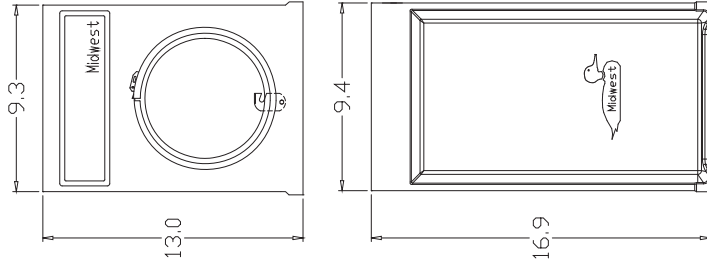
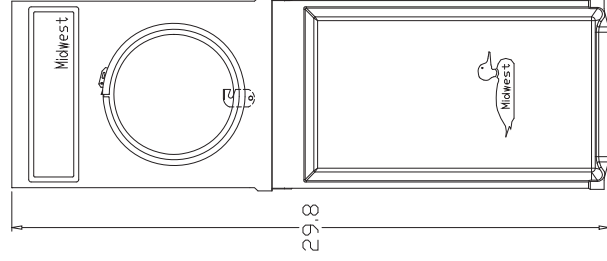
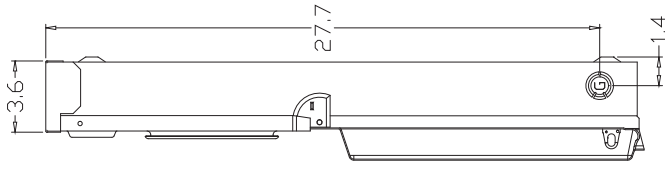
5/16" MOUNTING HOLE (3X)  
100AMP. RING TYPE  
METER SOCKET

LOAD CENTER  
50AMP. BREAKER 2-POLE  
30AMP. BREAKER 1-POLE  
20AMP. BREAKER 1-POLE



KNICKDOUT TABLE:

G	1/2", 3/4", 1" KD
B	1", 1-1/4", 1-1/2" KD
D	3/4", 1", 1-1/4" KD
H	9/32" KD



WIRE RANGE TABLE 1

CONNECTOR	COPPER		ALUMINUM	
	SOLID	STRAND	SOLID	STRAND
LINE	---	6-1/0	---	6-1/0
LOAD	---	14-10	---	---
NEUTRAL	14-10	14-10	10-8	10-1/0
NEUTRAL	12-8	12-1/0	12-8	12-4
NEUTRAL	14-8	14-4	12-8	12-4
EQUIP. GRND.	12-8	12-2	12-8	12-2
POST LINE CONNECTORS	#6-350 KCMIL		#6-350 KCMIL	
EQUIP. GRND.	12-2	12-2	12-2	12-2

SH24

TITLE: M075CB6010  
HEAD OUTLINE

\* = Critical To Quality

SCALE 1 : 1  
SIZE B  
SHEET 1 OF 1



MIDWEST ELECTRIC PRODUCTS, INC.  
Mankato, MN

AutoCad Generated

Dr. By: JDE CR: R0746956 Date:  
Ck. By:

DWG NO: 198B8604